

# Fiber Distribution Hub, 288 Outdoor – 2/NBD 116 200

## Terminated Distribution Fibers



### Features

- For PON and P2P applications
- In-cabinet splicing, no splicing in manhole
- Accommodates air-blown fiber in microducts and fiber optic cables
- Supports cable mid-span
- Up to 288 terminated drops
- Up to 20 positions for mounting of splitters
- Heavy duty strong plastic material
- IP 56 sealing
- Tested according to IEC 61300

### Application

The outdoor Fiber Distribution Hub (FDH) cabinet for up to 288 end users is designed to handle fiber optic terminations and passive optical splitters in PON FTTx networks, but can also be used for Point to Point (P2P) applications or combinations of the both. The FDH is used as a demarcation point between the feeder network and the distribution network and provides quick and easy incremental installation of distribution cable terminations and fiber optic splitters. This cabinet can handle both air-blown fiber in microducts, micro cables as well as drop cables and other fiber optic cables.

The FDH is intended for above ground installations but can also be mounted indoors, floor standing or wall mounted e.g. for use in a basement of a Multi Dwelling Unit. Mounting pad for outdoor installations and brackets for wall mounting are included.

### Design

This cabinet is designed with the unique feature of splicing fibers inside the cabinet in connector panel trays. This excludes the need for external manholes and splice boxes and therefore reduces installation time and installation cost. In addition to cable installation, the cabinet is designed for installation of air blown fibers in microducts which enables incremental fiber blowing to the cabinet for additional cost savings.

Other options include pre-connected stub cable for traditional fiber installations in manholes.

The product is equipped with a connector panel for up to 288 end-user connections and up to 48 feeder cable terminations. There are 14 positions for connector panel trays that also accommodate fiber splices. Each tray has 24 positions for SC-cut out adapters and 24 positions for splice protection sleeves.

It is equipped with a lockable front door (square key lock) and a hinged mounted middle door inside the cabinet to facilitate installation. Splitter modules are available in different splitter ratios. Splitters and connector panel trays with pigtails are ordered separately.



## Fiber Distribution Hub, 288 Outdoor – 2/NBD 116 200

### Typical Data

#### Material

The housing is made of aluminum that provides excellent mechanical strength at a very low weight in combination with highest corrosion resistance. Other metallic parts such as screws, microduct and cable holders etc. are made of stainless steel. The cable inlet seals and other rubber parts are of EPDM. Fiber adapter trays are of plastic. All materials are RoHS approved.

#### Weight, size and color

Weight ..... 50 kg  
Dimensions (HxWxD) ..... 830 (1080\*) x 700 x 426 mm  
Color ..... Light grey

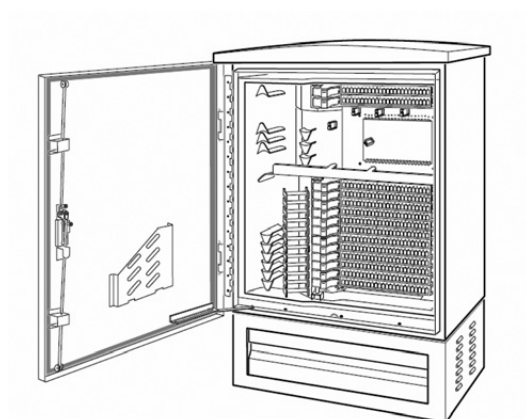
\*Height including pad

### Configuration

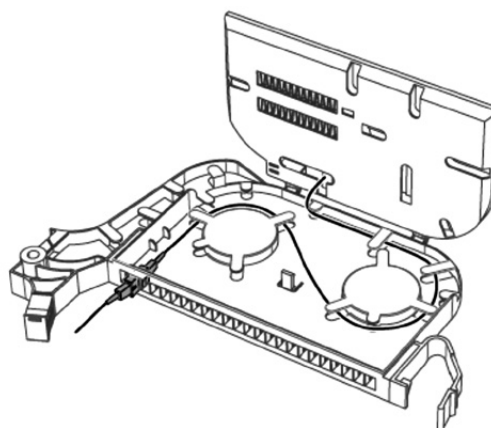
A standard configuration for PON applications consist of four main components:

1. Basic cabinet
2. 1 or 2 fiber adapter trays for feeder network connections
3. 1 to 12 fiber adapter trays for end user connections (distribution network)
4. Splitter modules

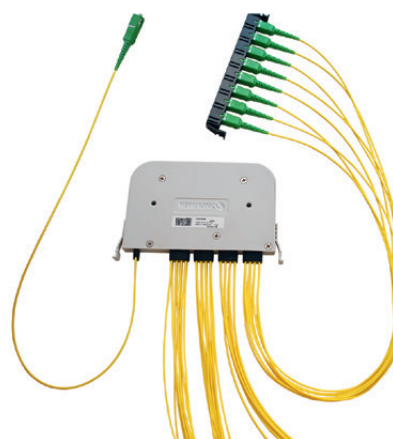
Pigtails, splice sleeves, adaptors etc are optional accessories required for some configurations.



Basic cabinet – 2/NBD 116 200/1



Fiber Adapter Tray – NBL 901 200+



Splitter module – RDJ 901 200+



# Fiber Distribution Hub, 288 Outdoor – 2/NBD 116 200

## Ordering Information

### Basic Cabinet

PRODUCT NUMBER	TYPE
2/NBD116200/1	FDH cabinet basic empty (standard option)
2/NBD116200/2	FDH cabinet, pre-installed 288 + 24 SC/APC with 20m stub cable (24f + 2x144f)

### Fiber Adapter Trays for Basic Cabinet

PRODUCT NUMBER	TYPE
NBL9012001/1	Fiber adapter tray, empty
NBL 901 2001/10	Fiber adapter tray prepared with 24xSC/APC adapters & pigtails
NBL 901 2001/11	Fiber adapter tray prepared with 24xSC adapters & pigtails
NBL 901 2001/12	Fiber adapter tray prepared with 24xLC/APC adapters & pigtails
NBL 901 2001/13	Fiber adapter tray prepared with 24xLC adapters & pigtails

### General Accessories

PRODUCT NUMBER	TYPE
RNT99210 / 24	SC/APC adapter (green) w. shutter
RNT 99210 / 23	SC/APC adapter (green)
RNT 99210 / 14	SC adapter (blue) w. shutter
RNT 99210 / 13	SC adapter (blue)
RNT 99222 / 12	LC/APC adapter (green) w. shutter
RNT 99222 / 13	LC/APC adapter (green)
RNT 99222 / 14	LC adapter (blue) w. shutter
RNT99222 / 2	LC adapter (blue)
TSR3950426/2000	SC/ APC Pig tails
TSR3950423/2000	SC Pig tails
TSR3950433/2000	LC/ APC Pig tails
TSR3950414/2000	LC Pig tails
TSR3950626/2800	SC/ APC Fan-out (4 f – ribbon)
TSR3950623/2800	SC Fan-out (4f–ribbon)
TSR3950633/2800	LC/ APC Fan-out (4 f – ribbon)
TSR3950614/2800	LC Fan-out (4f–ribbon)
NTA 162 12/22	100 x Splice sleeve 1f, l=60mm
NTA 162 12/72	100 x Splice sleeve 1f, l=40mm
NTA 162 12/41	50 x Splice sleeve 2-8 f, l=40mm (ribbon)

### Splitter Modules (see separate data sheet 28701-RDJ 901 200 for details)

PRODUCT NUMBER	TYPE
RDJ 901200/85	1:2 splitter, SC/APC
RDJ 901200/86	1:2 splitter, SC
RDJ 901200/87	1:2 splitter, LC/APC
RDJ 901200/88	1:2 splitter, LC
RDJ 901200/1	1:4 splitter, SC/APC
RDJ 901200/2	1:4 splitter, SC
RDJ 901200/3	1:4 splitter, LC/APC
RDJ 901200/4	1:4 splitter, LC
RDJ 901200/9	1:8 splitter, SC/APC
RDJ 901200/10	1:8 splitter, SC
RDJ 901200/11	1:8 splitter, LC/APC
RDJ 901200/12	1:8 splitter, LC
RDJ 901200/17	1:16 splitter, SC/APC
RDJ 901200/18	1:16 splitter, SC
RDJ 901200/19	1:16 splitter, LC/APC
RDJ 901200/20	1:16 splitter, LC
RDJ 901200/25	1:24 splitter, SC/APC
RDJ 901200/26	1:24 splitter, SC
RDJ 901200/27	1:24 splitter, LC/APC
RDJ 901200/28	1:24 splitter, LC
RDJ 901200/33	1:32 splitter, SC/APC
RDJ 901200/34	1:32 splitter, SC
RDJ 901200/35	1:32 splitter, LC/APC
RDJ 901200/36	1:32 splitter, LC
RDJ 901200/41	1:64 splitter, SC/APC
RDJ 901200/42	1:64 splitter, SC
RDJ 901200/43	1:64 splitter, LC/APC
RDJ 901200/44	1:64 splitter, LC
RDJ 901200/93	2:2 splitter, SC/APC
RDJ 901200/94	2:2 splitter, SC
RDJ 901200/95	2:2 splitter, LC/APC
RDJ 901200/96	2:2 splitter, LC
RDJ 901200/45	2:4 splitter, SC/APC
RDJ 901200/46	2:4 splitter, SC
RDJ 901200/47	2:4 splitter, LC/APC
RDJ 901200/48	2:4 splitter, LC
RDJ 901200/53	2:8 splitter, SC/APC
RDJ 901200/54	2:8 splitter, SC
RDJ 901200/55	2:8 splitter, LC/APC
RDJ 901200/56	2:8 splitter, LC
RDJ 901200/61	2:16 splitter, SC/APC
RDJ 901200/62	2:16 splitter, SC
RDJ 901200/63	2:16 splitter, LC/APC
RDJ 901200/64	2:16 splitter, LC
RDJ 901200/69	2:32 splitter, SC/APC
RDJ 901200/70	2:32 splitter, SC
RDJ 901200/71	2:32 splitter, LC/APC
RDJ 901200/72	2:32 splitter, LC
RDJ 901200/77	2:64 splitter, SC/APC
RDJ 901200/78	2:64 splitter, SC
RDJ 901200/79	2:64 splitter, LC/APC
RDJ 901200/80	2:64 splitter, LC